

## PA 11 A 300T

## Photoelectric Amplifiers

Standard, Remote Photoelectric Systems



Product Data	
Supply Voltage:	230 V ac
Housing:	11-pole DIN socket
Sensing Range:	70 m
Sensitivity Adjustment:	Manual
Timer:	On/Off Delay
Output:	Relay and NPN

Technical Data	
Supply Voltage:	230 V ac
Current Consumption:	Max. 3,5 VA
Housing Material:	Noryl
Power On Indicator:	Green LED
Output Indicator:	Yellow LED
Hysteresis:	Approx. 45 %
Voltage Tolerance:	+/- 15 %
Output, Relay:	1 open/1 close, 250 V ac/3 A, 120 V ac/5 A
Output, Transistor:	60 mA / 30 V dc
LR Sensor Failure Indicator:	Red LED
LT Sensor Failure Indicator:	Red LED
Sensor Monitor LED Drive:	Green LED on the receiver: 'Power ON' Yellow LED on the transmitter: PA 11 output activated
Response Time $t_{on} / t_{off}$ , Relay:	35 ms / 35 ms
Response Time $t_{on} / t_{off}$ , Transistor:	25 ms / 25 ms
Signal Level Indicator:	Green LED
Operation Frequency, Relay:	14 Hz
Operation Frequency, Transistor:	20 Hz
Delay Time $t_{on} / t_{off}$ :	0 – 10 sec, adjustable
Alarm Output:	-

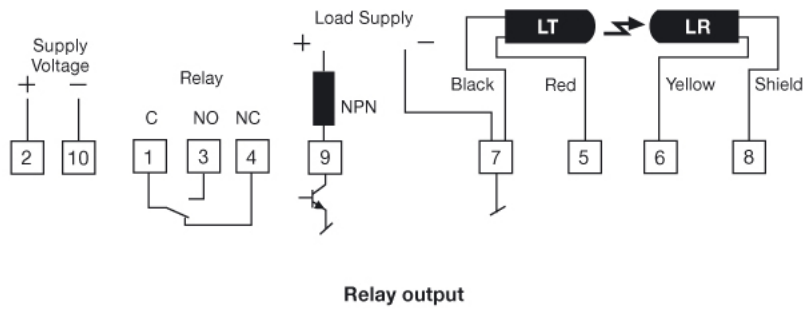
**Environmental Data**

Operation Temperature:	- 10 to +50 °C
Storage Temperature:	- 40 to +80 °C
Sealing Class:	IP 40

**Approvals**



**Wiring Diagram**



**Dimensions**

